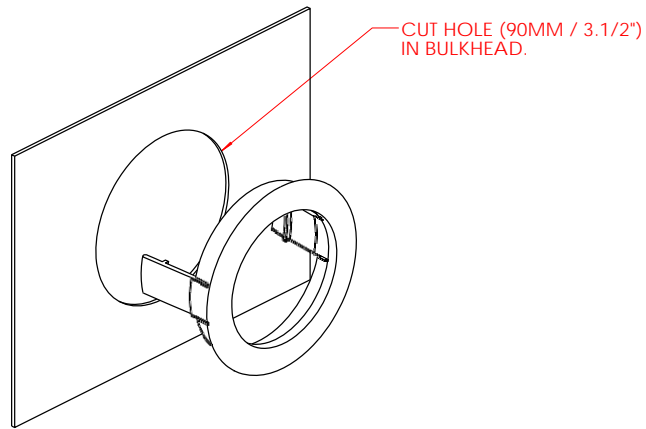


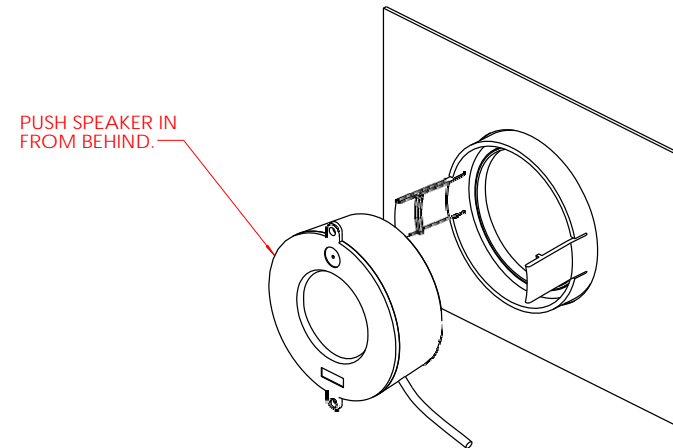


Installation of Bulkhead Mounts for Coxmate Speakers

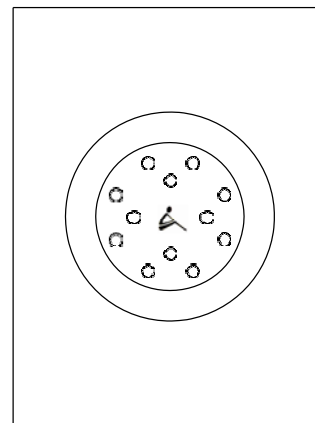
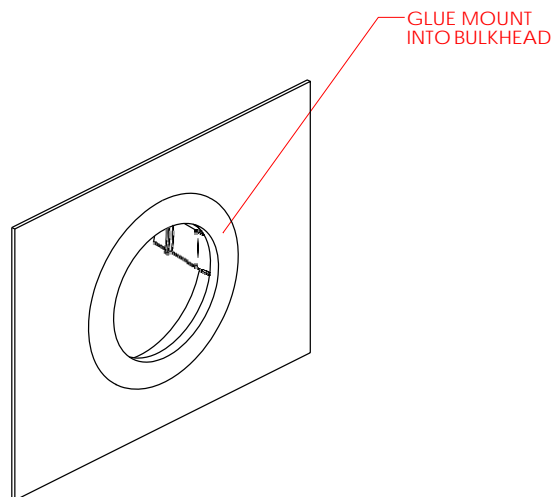
1. Cut 90mm (3.5") diameter hole using hole saw or similar in appropriate position of Bulkhead



3. From rear push Speaker in from behind ensuring both sides 'click' into place



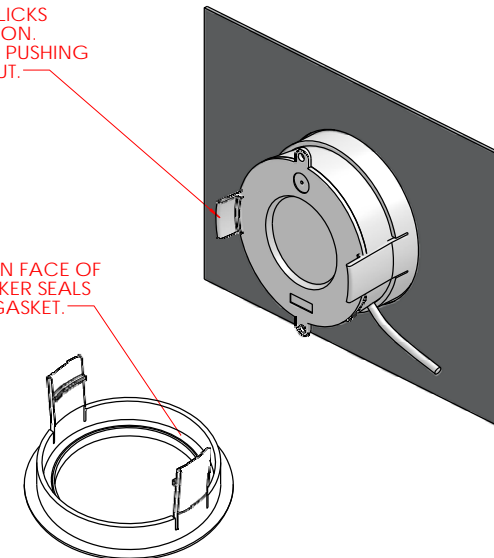
2. Use Silicon or Epoxy (or similar) to glue the Mount in the cut hole with the 'legs' facing inwards. Allow glue to set



VIEW FROM FRONT OF INSTALLED SPEAKER

SPEAKER CLICKS INTO POSITION. RELEASE BY PUSHING FINGERS OUT.

LIP ON FACE OF SPEAKER SEALS ON GASKET.



Removal: unclip each leg of the Bulkhead Mount